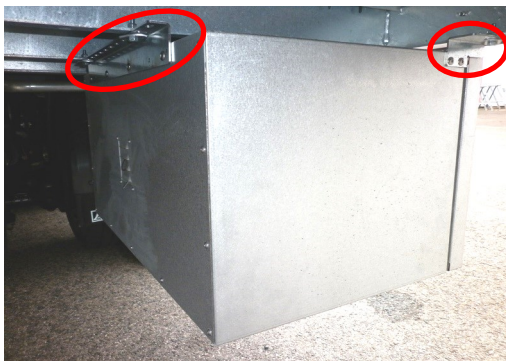


**Toolbox COOSB...1 :**

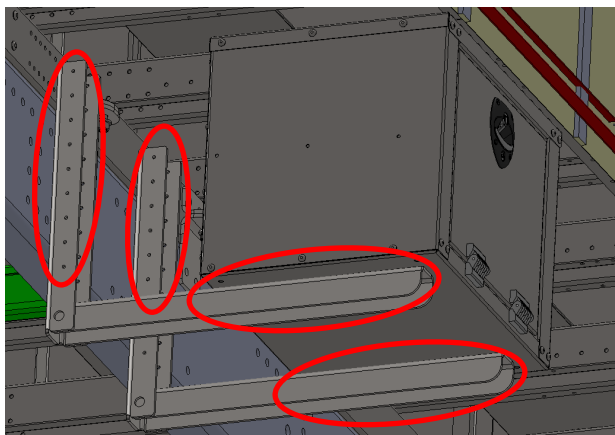
- Brackets integrated to the box on the left/right side and behind
- Fix the brackets to the crosspiece or replacement adaptations
- Screws and bolts not supplied: M8 screws class 8.8
- Recommended tightening torque: 22Nm
- Estimated installation time : 10-20 min

**Toolbox COOS/COOSB - COSU013CD-CG :**

- Brackets to be fixed on the left/right side and fix it to the sidemember or subframe
- Screws and bolts not supplied : M8 screws (class 8.8) To fix the brackets to the box and structural rivet 6.4 or M6 screws (class 8.8) to fix to the sidemember
- No pre-drilled holes in to the box
- Recommended tightening torque: M8 = 22 Nm and M6 = 9Nm
- Estimated installation time : 45 min

**Tool box COOS upward/downward****Opening and COOF PL - SBSU046-G :**

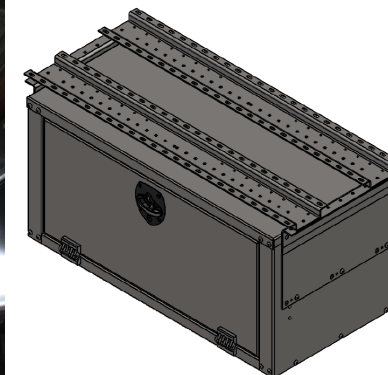
- « L » brackets to fix to the sidemember or subframe and adjust the desired height and depth
- Screws and bolts not supplied : 2 M14 screws (class 8.8) per bracket and 180mm min. centre distance between the sidemember + M8 screws (class 8.8) for the bracket/box connection
- Mounting recommendations: 2 pts on the vertical part and 2 pts on the horizontal part
- No pre-drilled holes into the box
- Recommended tightening torque : M14 = 124Nm  
M8 = 22Nm
- Estimated installation time : 1h30

**SCAN ME !**

To get your mounting instructions

**Toolbox COOF PL - SBSU0050 :**

- Brackets in 2 parts:  
Fix the bracketcheeks on the right and left sides of the box  
Then fix the 2 omegas to connect the sides to the crosspieces
- Screws and bolts not supplied: M8 screws (class 8.8) for the connections omegas/crosspieces and box/brackets
- No pre-drilled holes into the box
- Recommended tightening torque : M8 = 22 Nm
- Estimated installation time : 1h

**Box COOFL600/601 :**

- Brackets integrated in the back of the box to be fixed to the sidemembers or subframe
- Screws and bolts not supplied : M14 screws (class 8.8)
- Recommended tightening torque : 124 Nm
- Estimated installation time : 1h

